

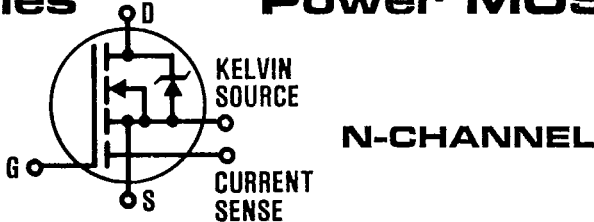
INTERNATIONAL RECTIFIER

INTERNATIONAL RECTIFIER 

T-39-11

REPETITIVE AVALANCHE AND dv/dt RATED

HEXSense™ — Current Sense IRC634
C Series Power MOSFET



250 Volt, 0.45 Ohm Current Sense
Plastic Package Similar to TO-220

The HEXSense™ "C" Power MOSFETs incorporate a current sensing feature, obtained by isolating a few cells in its structure. In addition to the well established characteristics of the HEXFETs, they provide an accurate fraction of the drain current as feedback parameters for control and/or protection.

Fields of applications include: current mode motor control; power supplies using flyback or push pull topology; uninterruptible power systems; instrumentation; solid state relays; CRT deflection, solenoid and lamp drive circuits.

The HEXFET technology is the key to International Rectifier's advanced line of power MOSFET transistors. The efficient geometry and unique processing of the HEXFET design achieve very low on-state resistance combined with high transconductance and great device ruggedness.

Product Summary

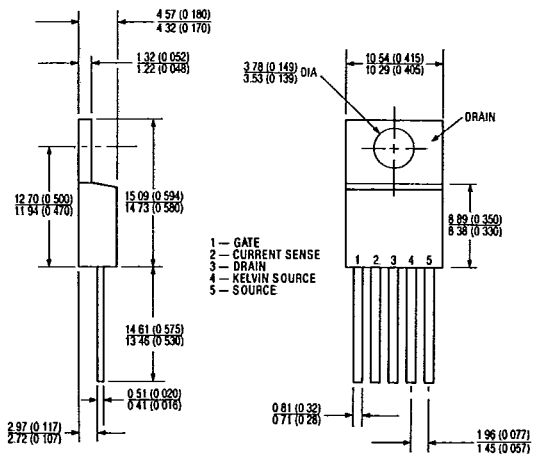
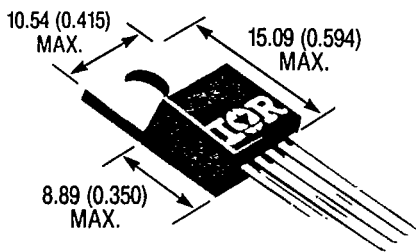
Part Number	BV _{DSS}	R _{DS(on)}	I _D
IRC634	250V	0.45Ω	8.7A

Features:

- ±2.5% Sensing Accuracy
- Repetitive Avalanche Ratings
- Dynamic dv/dt Rating
- Simple Drive Requirements

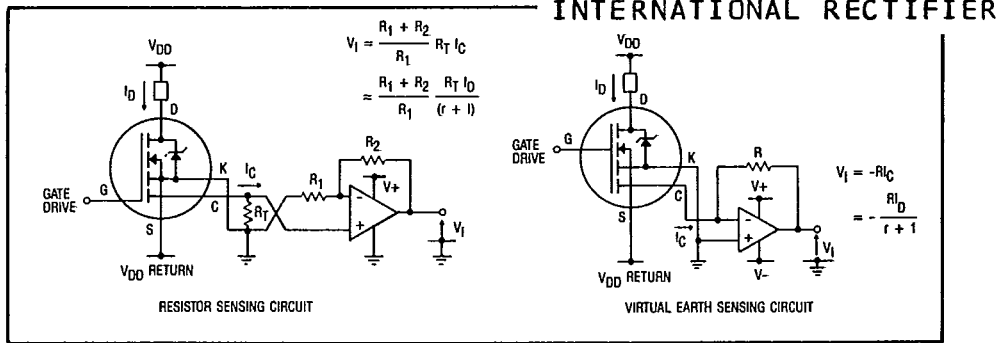
CURRENT SENSING DEVICES

CASE STYLE AND DIMENSIONS

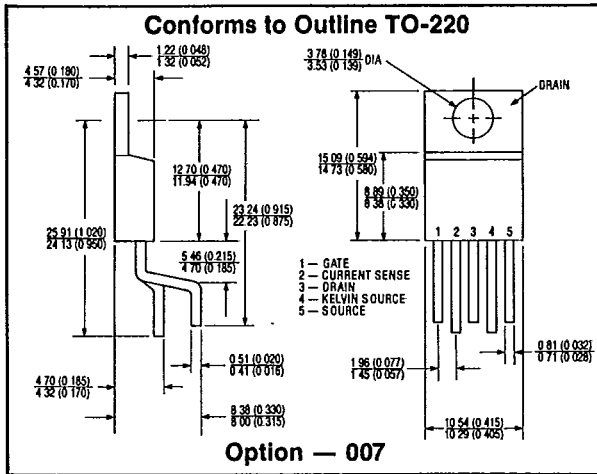


Conforms to Outline TO-220 (IR H-7)
Dimensions in Millimeters and (Inches)

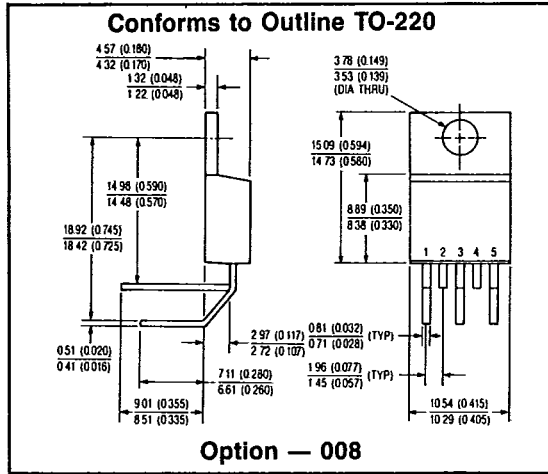
Shown below are two typical circuit applications of HEXSense power MOSFETs. For a more detailed description, refer to IR application notes AN-959, AN-961, AN-962 and AN-963. Additional technical assistance is available from our applications engineering department.



Typical Current Sensing Circuits



HEXSense Case Style (H-8)



HEXSense Case Style (H-9)

Dimensions in Millimeters and (Inches)

ORDERING INFORMATION

Part Number	Case Style	
IRC634	IR H-7	
IRC634-007	IR H-8	
IRC634-008	IR H-9	

Other lead formings are available upon request.